

The Evacu-Trac CD7 is an evacuation chair used to move people with a disability or injury down stairways



quickly and safely during an emergency. Evacu-Trac's patented speed governor and braking system allow a

small attendant to easily evacuate a larger passenger.

The Evacu-Trac CD7 is simply the best evacuation chair on the market today. It is easy for the operator to use and is comfortable for the passenger. This encourages regular practice drills, considered essentially to emergency preparedness. Exclusive safety features such as a unique hydraulic speed governor and failsafe braking system that will stop and hold a fully loaded Evacu-Trac on the stairs setting Evacu-Trac apart from all other evacuation chairs.

In an emergency such as a fire, elevators should not be used. People with limited mobility may be trapped. The Evacu-Trac CD7 provides a lifeline to safety.

During an emergency, the passenger is transferred from their wheelchair to the Evacu-Trac. Once positioned in the Evacu-Trac, Velcro straps are wrapped securely around the passenger's torso and lower legs. The passenger is then wheeled to the stairway for descent.



During the decent the passenger sits in a comfortable, upright position, securely held by three safety straps.

To turn the Evacu-Trac on flat surfaces, the attendant pushes down on the handles and pivots the unit on the rear auxiliary wheels.



When ready to descend the next flight, the attendant squeezes the Brake Release Bar to release the secondary, failsafe brake.



■ Features

- Quick and easy set up for immediate use
- Carries up to 300lbs
- Passenger's weight moves unit down stairs, while the governor controls speed
- Failsafe brake brings unit to a complete stop automatically
- Adjustable safety straps
- Stable and self-supporting
- Unique seat design allows easy transfer from wheelchair
- Durable tracks grip the stairs, regardless of the stair construction material

■ Benefits

- Provides quick and safe emergency evacuation
- No hand carrying of mobility impaired persons

Small attendants can easily move heavier passengers

- Easily stores in a secure area when not in use
- Requires minimal maintenance
- Available immediately

Evacu-Trac glides down hallways on six auxiliary wheels. When the stairway is reached, Evacu-Trac automatically lowers onto its rubber tracks for stairway descent.

■ Evacu-Trac Storage Cabinet

Protect your Evacu-Trac, as you would any other important life-safety equipment, by storing it in a steel storage cabinet located near the top of the stairway. Designed to hold a single Evacu-Trac, the storage cabinet includes graphics clearly identifying the contents.



Storage Cabinet Dimensions

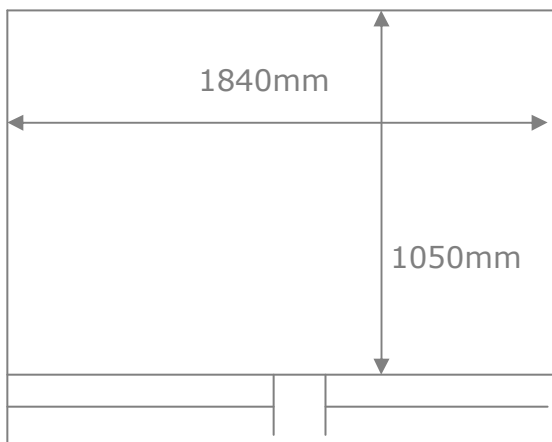
Height	1151mm
Width	508mm
Depth	279mm



■ Evacu-Trac CD7 Specifications

● Clearances

The diagram below shows typical clearances required on turnback stairways. Actual requirements may vary depending on stairway configuration.



■ Evacu-Trac Dimensions

Capacity: 136kgs/300 lbs
 Speed: 1.1m/sec
 Stair Angle: 40°Max
 Weight: 20.7kgs/46lbs

Size Open	Size Folded
Length: 1310mm	1100mm
Width: 426mm	426mm
Height: 810mm	270mm

Other Evacuation Devices available

■ Power Evacu-Trac

Battery Powered Evacuation Chair

Many evacuation situations involve travel up stairs from below ground level or to an area of refuge on a higher floor. The Power Evacu-Trac is equipped with a powerful motor and battery, allowing a single small attendant to transport a heavy passenger up many flights of stairs to safety. This is a unique product.

■ Super-Trac

Portable Standby Elevating Device



Super-Trac is a portable elevating device that can be used to move passengers or wheelchairs up and down stairs. The platform means that the passenger does not have to transfer out of his/her wheelchair, saving time and reducing the chance of injury. The Super-Trac has a capacity of 200kgs (440lbs).

